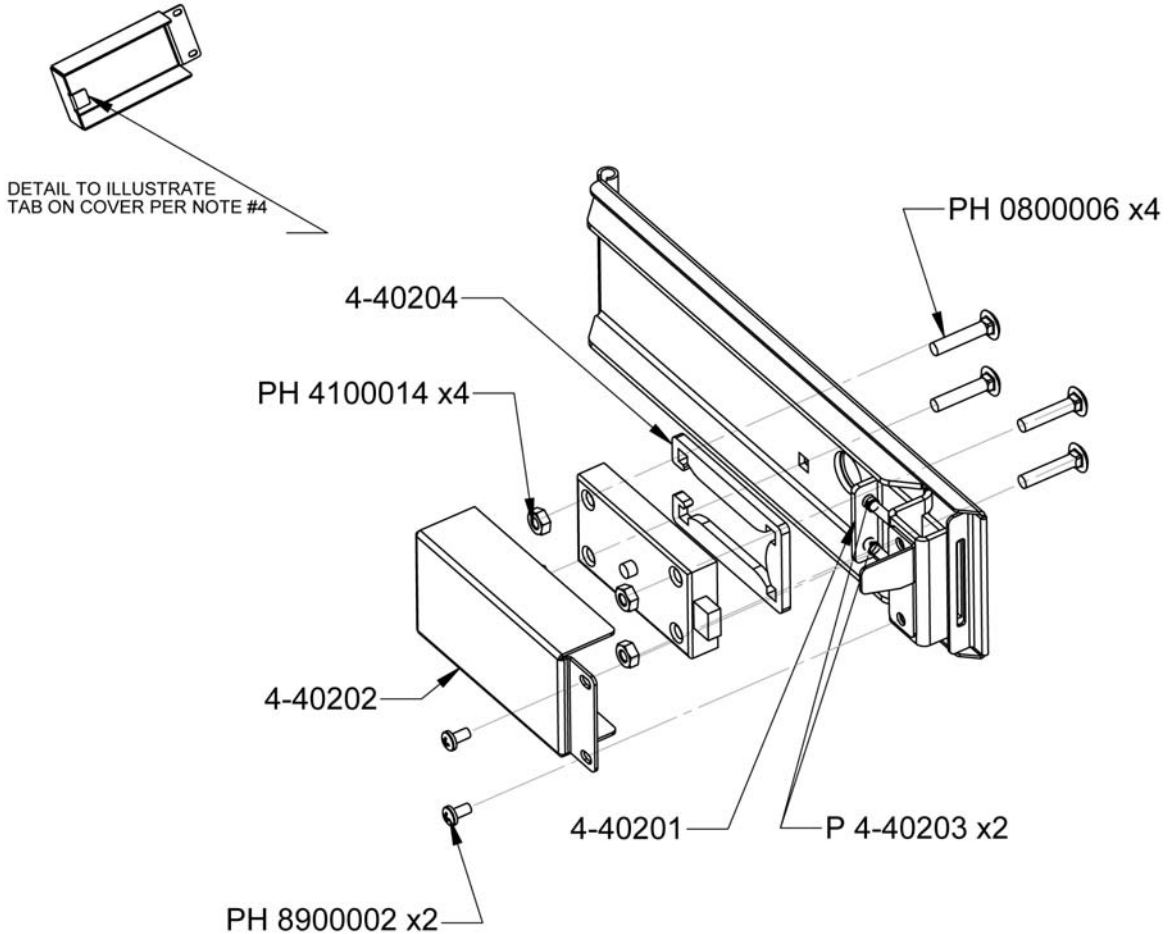


## USPS ACCESS DOOR LOCK INSTALLATION:

1. SLIP (2) #P 4-40203 S/S COMPRESSION SPRINGS OVER PINS ON COLLECTION DOOR LATCH #4-40201. THEN INSERT INTO SLOT ON DOOR.
2. INSERT (4) #PH 0800006 1/4"-20 x 1 1/4" 18-8 S/S CARRIAGE BOLTS INTO DOOR.
3. SLIP ARROW LOCK AND SPACER #4-40204 OVER CARRIAGE BOLTS AND APPLY (4) #PH 4100014 1/4"-20 S/S NYLOK NUTS AND TIGHTEN.
4. NEXT PUT #4-40202 ARROW LOCK COVER OVER ASSEMBLY HOOKING TAB ON COVER UNDER THE ARROW LOCK AND INSERT (2) #PH 8900002 #10-32 x 5/16" MCGARD SCREWS.



DWG DATE 01/05/07